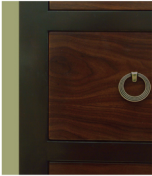




Solid wood drawers with full-extension slides.



Dramatic two-tone finish.



Accenting decorative hardware.



Beautiful walnut veneers.



Tapering feet with adjustable levelers.



Matching mirror frame with beveled glass.



Bureau style drawer layout with ample storage and full-extension drawer glides.

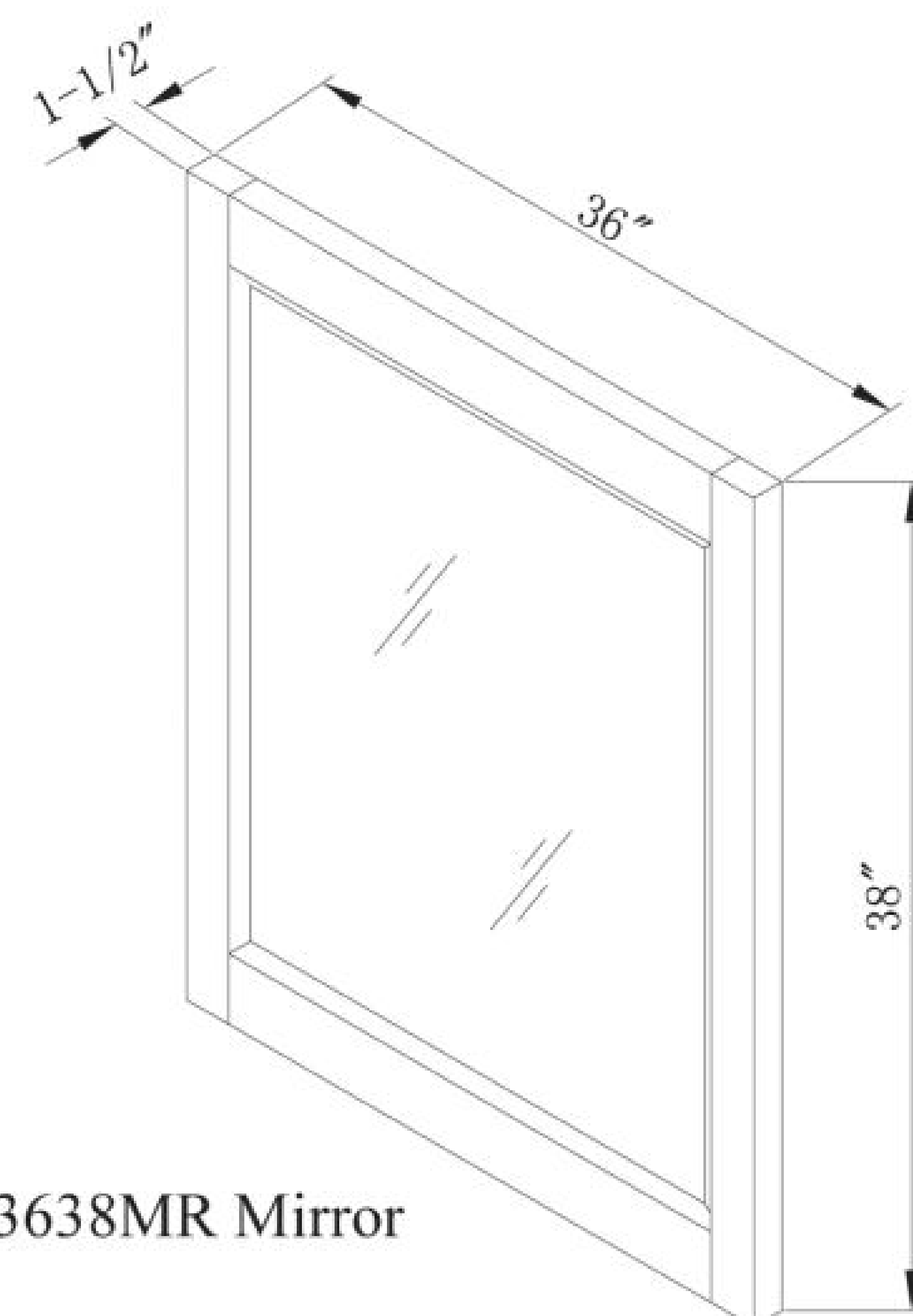
U
R
B
A
N
W
A
L
N
U
T



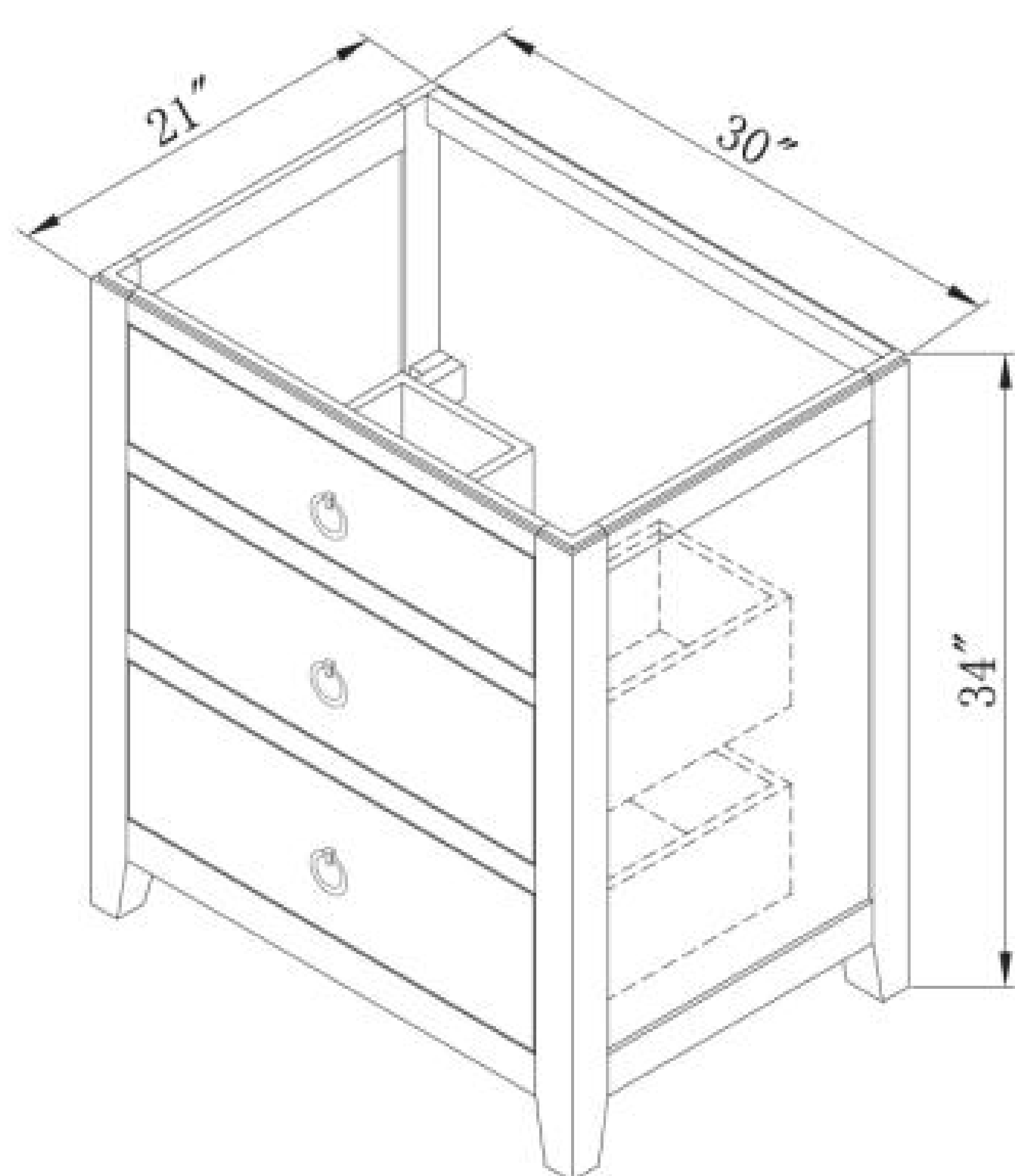
Sagehill Design's Urban Walnut Collection is a luxurious combination of sophisticated modern design and the beauty of walnut veneers. This combination is further enhanced by dramatic hardware and a unique two-tone finish. The result is a casual contemporary collection that makes a subtle design statement that will enhance today's designer bath.

Features Include:

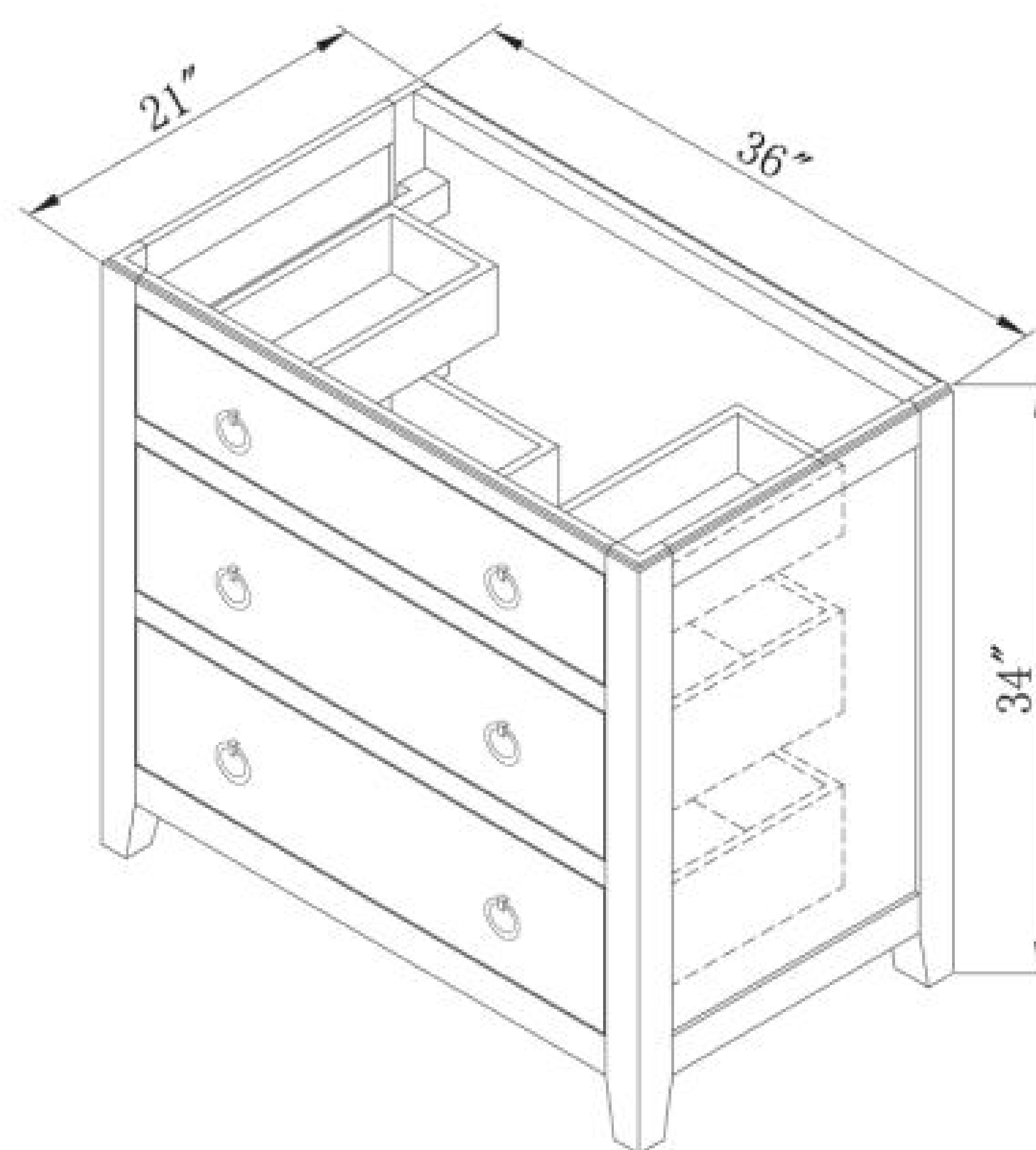
- * Casual contemporary design elements.
- * Two-Tone Walnut Finish.
- * Beautiful walnut veneers.
- * Bold decorative hardware.
- * Tapered feet with adjustable levelers.
- * Bureau-style cabinet design.
- * Matching mirrors feature beveled glass.



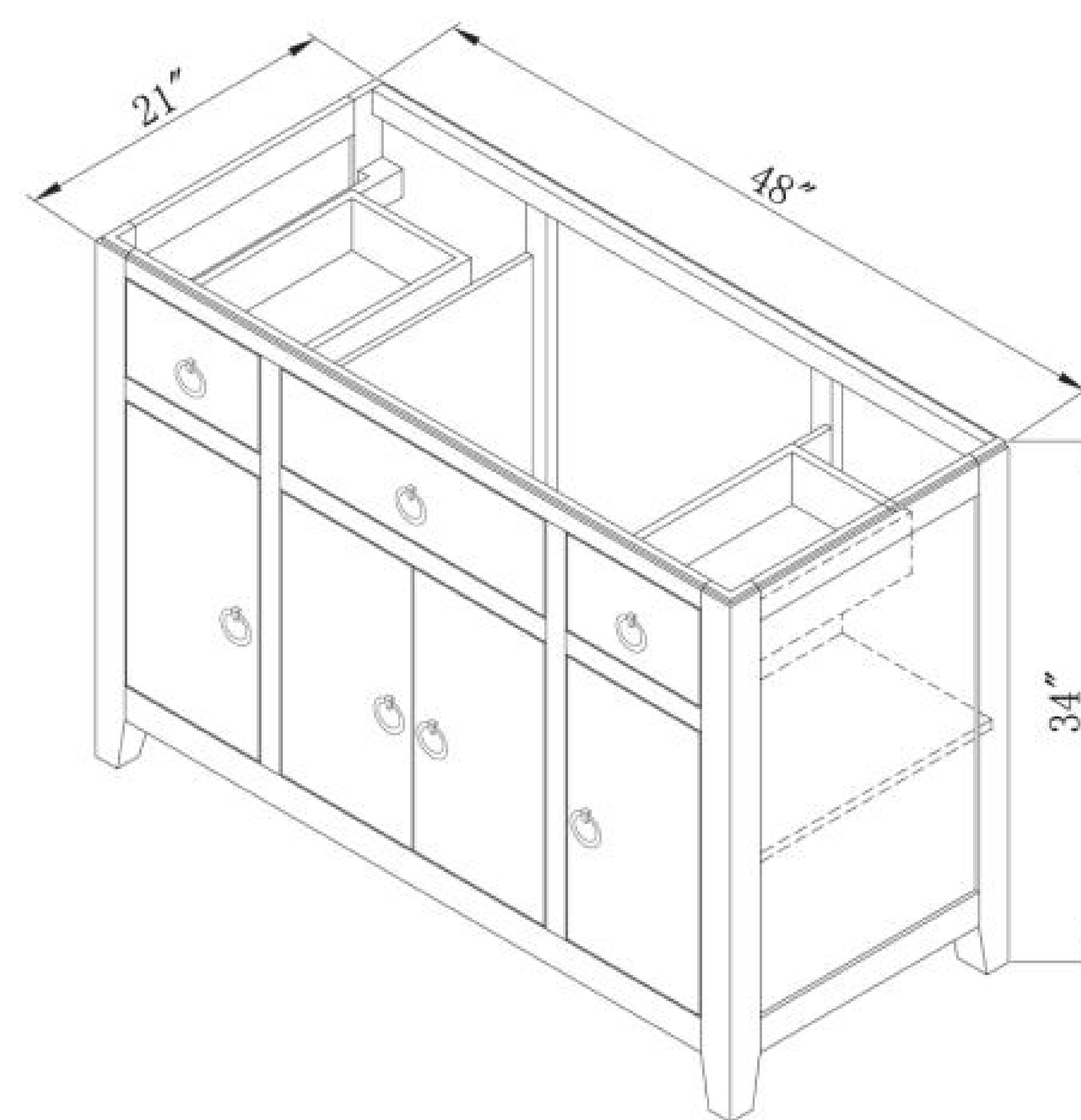
UW3638MR Mirror



UW3021D Vanity
3 x Drawer



UW3621D Vanity
5 x Drawer



UW4821D Vanity
3 x Drawer / 2 x Adj. Shelf

Sagehill Design's Urban Walnut Collection combines the sophistication of modern design with the beauty of natural walnut veneer. The result is a luxurious balance of modern and relaxed design.

The Urban Walnut Collection will complement modern bath environments with ease. Sagehill Design's craftsmen use fine-furniture construction techniques and hand-rub the expertly applied two-tone finish. Ample storage and practical function are not ignored with features like standard adjustable levelers and full width drawers.

Thoughtfully designed in the modernist tradition and refined with a casualness that reflects contemporary living allows the Urban Walnut Collection to enhance the contemporary bath environment with style.

Sagehill Designs

by
Sunny Wood Company



Note: Printed finish representations are for general reference only.
Contact your dealer to view actual finish samples.

Copyright 2011: Sagehill Designs. All rights reserved.